

CLUB OFFICERS

COMMITTEE CHAIRMAN

President: Mike Brannock, KG4IES
V. President: Mark Currens, KI40JG
Secretary: Paul Harrington III, KB4ENQ
Treasurer: Steve McFadden, KA4TJD
Trustee for KY4WC Jerry Mueller, KC4WZO

Program: Steve McFadden, KA4TJD
Emergency: Jerry Mueller, KC4WZO
Field Day: Paul Harrington III, KB4ENQ
Web Site: Jerry Mueller, KC4WZO
Net Control: Paul Harrington III, KB4ENQ
Repeater: Steve McFadden, KA4TJD
News Letter: Paul Harrington III, KB4ENQ
Fund Raising: Todd Rose, KE4YAH
Adopt-a-Highway: Paul Harrington III, KB4ENQ

The Woodford County Amateur Radio Club meets on the first Wednesday of each month at 7:00 p.m., at the Versailles Fire Station #2 on Big Sink Pike. Anyone interested in Amateur Radio is cordially invited.

The Club holds an ARES practice net Thursday evenings at 8:00 p.m. Nets are held on the 145.330 repeater.

The Woodford County Amateur Radio Club Home Page is located on the internet at <http://www.ky4wc.org>. The Club receives e-mail at ky4wc@ky4wc.org. E-mail may be sent to the membership by sending a message to maillist@ky4wc.org.

W.C.A.R.C. 2008 Raffle Prize List

1 NIGHT + BREAKFAST FOR TWO DoubleTree Guest Suites, Lexington
SUNDAY BRUNCH FOR TWO Hilton Suites, Lexington Green
SUNDAY BRUNCH FOR TWO Hilton Suites, Lexington Green
TWO LARGE PLEASER PIZZA'S Little Caesars, Versailles
\$25 GAS certificate Queens Chevron, Versailles
ONE OIL CHANGE SERVICE Valvoline Oil Change
ONE OIL CHANGE SERVICE Valvoline Oil Change
ONE OIL CHANGE/LUBE Jeff Jones
\$25 DINNER certificate Sweet Potatoes, Frankfort
\$15 certificate (Versailles) Moore's Produce/Meats
\$25 DRY CLEANING certificates Concord Custom Cleaners
\$20 MOVIE RENTAL (Versailles) Hancock's
ONE HOUR MASSAGE (\$50 value) Shiatzu Massage Center, Versailles
ONE HAIR CUT & HAIR PRODUCTS Terra Lee Beauty Shop, Versailles
DINNER for TWO Holly Hill Inn, Clevelands, or Wallace Station

Drink sales sponsored by Ale-8-One, 4 cases, Krogers, 6 cases, and Clark, 2 cases water.

Thank You to the DoubleTree Guest Suites of Lexington, 2601 Richmond Rd., for duplication of this month's Newsletter

Minutes of the August, 6th 2008 Meeting

The meeting was called to order by the Club President, Mike Brannock, KG4IES at 7:08 p.m.

Minutes of Last Meeting: Jerry Hatchett, N8NZF, seconded a motion made by Todd Rose, KE4YAH, that the minutes of the last meeting be accepted as published. The motion carried.

Treasurers Report: The opening balance was \$\$\$\$.\$\$. Checks were ordered for the new checking account resulting in a expenditure of \$\$\$.\$\$. \$\$\$ was deposited from dues collected. The closing balance is \$\$\$\$.\$\$. It was also noted that Paul Harrington III, KB4ENQ, has been added to the account for an alternate signature. Mike Brannock, KG4IES, seconded a motion by Todd Rose, KE4YAH, that the Treasurer's report be accepted. The motion carried.

Newsletter: Members are encouraged to offer material and suggestions for the Newsletter. Thanks to the members who have volunteered to receive the Newsletter via e-mail. If you wish to receive the Newsletter by e-mail, please contact Paul Harrington III, KB4ENQ.

Adopt-a-Highway: An adopt-a-highway event is scheduled for August 9th. Members should meet at McDonald's for breakfast at 8:00a.m. Highway cleanup should start around 9:00.

Repeater: The 440 repeater is still down waiting on modifications similar to those made to the controller for the 220 machine.

Fund Raiser: See page 1 for a list of the prizes for this year's raffle. There are two ticket sales events scheduled for September. The first is at Krogers on Saturday the 13th,

Welcome!

to our two new members:
Richard Marshall, W4ZWZ
Jim Gill, W2HDY

Fund Raiser, cont'd: the second is at Hillbilly Daze in Millville on Saturday the 20th. Volunteers are needed to sell tickets at both events. See Todd Rose, KE4YAH, to sign up. Tickets are also available for individual sales. The price this year is \$1 each or 6 / \$5. The drawing will be held at Millville.

Please, keep our sponsors in mind as you make buying decisions.

Field Day: The Field Day report has been filed. This year the Club earned 1198 points. There were 214 (non dupe) contacts made resulting in 428 points (after application of the power multiplier). 770 additional points were earned for emergency power (2 stations * 100), media publicity (100), held in a public location (100), having an information booth (while the wind cooperated) (100), site visited by a member of a served agency (100), having an educational activity (100), youth involvement (20), and application submitted via internet (50). Gavin Harrington, age 10, performed several station setup activities after receiving instruction and later made several contacts, counting for the youth element and educational activity.

Our 214 contacts included contact with 36 states, and Canada. We communicated with all of the states east of the Mississippi River with the exception of Delaware. We missed Alaska, Hawaii, Arizona, Idaho, Montana, Nevada, Oregon, Utah, Wyoming, Colorado, Kansas, Nebraska, and both Dakotas. We seemed to have a problem reaching call districts 0

Field Day cont'd: and 7.

Food for the event was donated by K-Mart, Rail Heads, Continent Food Mart, and Papa John Pizza. Please keep these sponsors in mind.

In all 20 amateurs and visitors participated in this year's event.

Field Day pins will be ordered soon.

Thanks to all who helped make this year's event a success.

Emergency: Drew Chandler, KI4TFI, reported: The county has applied for a grant to renovate the existing EOC.

The grant would allow for new furniture and updated technology. A second grant has been applied for to update the County's radio system to a new state of the art digital system from Kenwood.

The C.E.R.T. organization is still looking for students to fill the next round of training. Contact Sarah Cunliffe at 873-4541.

Woodford County is very near to qualifying for the "Storm Ready County" classification.

Web Site: A motion passed to make a new attempt to get the old KF4INN web page take down. New member, Richard Marshall, W4ZWZ, has offered his assistance, and will proceed.

Alan Hackney, KE400I, seconded a motion made by Steve McFadden, KA4TJD, that the meeting be adjourned. The motion carried at 8:20 p.m..

Please show your support for Amateur Radio by attending at least one Hamfest this Summer.

Remember: Most Hamfests feature testing: check with the listed contact for details!

Net Report:

07/31/08	08/07/08	08/14/08	08/21/08
KB4ENQ	KB4ENQ	KB4ENQ	KB4ENQ
W4ZWZ	KI4YTM	W4ZWZ	KF4LRK
KI4UCD	KI4LSG	K4ITM	KD4GNX
KU4A	WA4PCS	K4HOD	KE400I
KI4YTM	AJ4BC	KI4LSG	KE4GNX
KF4LRK	KF4LRK	W4XXL	W4ZWZ
DE400I	KD4GNX	AJ4BC	KG4LXR
DE4GNX	KE4GNX	KF4LRK	WA4PCS
KE4AIE	KA4TJD	KD4GNX	
WA4PCS	KI40JG	KE400I	
	WA4ZWZ	KE4GNX	
	KE4LZP	K4HOY	
		KI40JG	
		KG4LXR	
		WA4PCS	
		KG4VAR	
		KE4AIE	

Attendance:

Mike Brannock
 Paul Harrington III
 Todd Rose
 Steve McFadden
 Jerry Hatchett
 Mark Currens
 Tristan Wilson
 Rob Hutchinson
 Drew Chandler
 Jim Hughes

==> AMATEUR STATION AT SMITHSONIAN QRT
 AFTER 32 YEARS

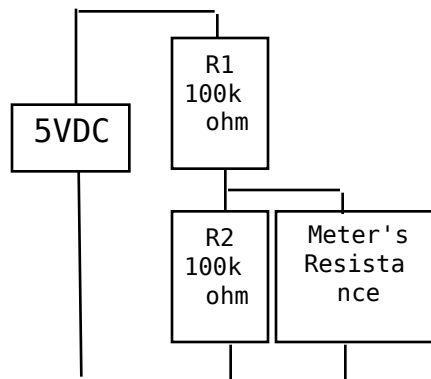
After more than 30 years on the air from the nation's capital, NN3SI <<http://americanhistory.si.edu/events/programdetail.cfm?newskey=48>>, the Amateur Radio station at the National Museum of American History <<http://americanhistory.si.edu/index.cfm>> -- part of the Smithsonian Institution <<http://www.si.edu/>> -- became silent on Thursday, July 31. Originally located in the Nations of Nations exhibit, the station first went on-the-air in 1976 in celebration of the US Bicentennial. The FCC caught the patriotic spirit, giving the station a temporary call sign -- NN3SI -- standing for Nation of Nations, Smithsonian Institution. The Commission later made the call sign allocation permanent.

Contd. from page 3

According to NN3SI volunteer Carl Lagoda, W3CL, a Special Event operation was planned for earlier this week, with certificates available to those who contacted NN3SI. DX Summit <<http://www.dxsummit.fi/>> spotted NN3SI on 75, 40 and 20 meters SSB. NN3SI has been situated in several different exhibitions in the Museum; it was most recently housed in the former Information Age exhibit. This exhibit chronicled the birth and growth of the electronic information age -- from Samuel Morse's invention of a practical telegraph in the 1830s through the development of the telephone, radio, television and computer. The Museum has been closed since 2006 while undergoing a major renovation and is scheduled to reopen to the public this fall. The station participated in many special events throughout its history. During the dedication of the World War II Memorial on the National Mall, station operators made many contacts and taught children visiting the Museum how to spell their names in Morse code. Over the years, operators at NN3SI -- who hailed from the District of Columbia, Maryland and Virginia (and the occasional guest operators from various parts of the globe) -- have logged contacts with amateurs in all parts of the world and with astronauts and cosmonauts in orbit. By operating the station, NN3SI ops promoted Amateur Radio as a national resource for emergency communications, trained operators, technicians and engineers -- as well as an outstanding hobby -- to the more than 4 million people who visit the Museum each year.

QSL via NN3SI, Smithsonian Institution, National Museum of American History, 17701 Bowie Mill Rd, Derwood, MD 20855.

In last month's issue the question below was posed. In the meeting we talked about the differences in the two instruments used to measure the voltage across the bottom resistor. The Heathkit meter is an amplified meter having an input impedance of 11 meg ohm, and the Simpson is a conventional meter with only passive attenuation networks. The difference is related to the resistance of the meter used being in parallel with the second 100k ohm resistor. In the case of the Heathkit meter, 11 meg across the 100k resistor does little to modify the behavior of the circuit. On the other hand the Simpson meter's resistance is much nearer to the 100k ohm value resulting in significant alteration of the resulting circuit.



In the circuit to the left, I measure the voltage across R2 with my Heathkit Solid State VOM (IM-25) and get 2.5 volts. If I measure it with my trusty Simpson 260, I get 2.1

volts. Why the difference, when they agree on the voltage of the 5 volt power supply?

Both of the meters discussed above are capable of measuring resistance as well as voltage. To do this, they pass a small amount of DC current through the resistor being tested and measure the voltage developed across that resistor.

Additional scales are provided on the meter movement to read resistance directly. (see the ARRL Handbook for a more detailed explanation).

Now for another quiz. I have recently acquired an ohm meter that uses AC in place of DC current to to make measurements. What might I measure other than resistors with this instrument? Come to the September meeting for a demonstration.

Upcoming Exams: Exams listed are within 100 miles of Woodford County

06-Sep-2008
CINCINNATI REPEATER ASSOC INC
Time: 8:30 AM (Walk-ins, ok)
Contact: DALE W PRITCHETT
(513)769-0789
Email: KC8HJL@ARRL.NET
VEC: ARRL/VEC
HARTWELL PRESBYTERIAN CHURCH
210 PARKWAY AVE
INTERSECTION PARKWAY/WOODBINE
NEAR VINE/GALBRAITH & I-75
CINCINNATI, OH 45216

08-Sep-2008
Sponsor: NKARC
Time: 6:00 PM (No walk-ins)
Contact: LYLE H HAMILTON
(513)315-4032
Email: AB8SH@ARRL.NET
VEC: ARRL/VEC
Location: LIGHTHOUSE
FREEWILL BAPTIST CHURCH
401 MAIN ST
ELSMERE, KY 41018

Upcoming Hamfests:
Within 100 miles of
Woodford County

6 Sep 2008
Greater Louisville Hamfest
Association
<http://LouisvilleHamfest.com>
Talk-In: 146.70 (PL 79.7)
Contact: Greater Louisville
Hamfest Association
PO Box 34444
Louisville, KY 40232-4444
Email:
GLHA08@LouisvilleHamfest.com
Shepherdsville, KY
Paroquet Springs Conference
Centre
395 Paroquet Springs Drive

13 Sep 2008
Central Kentucky Amateur
Radio Society
<http://www.qsl.net/ckars/hamfest/>
Talk-In: 145.370 (PL 192.8)
Contact: Mike Rogers, KE4ISW
144 Allen Douglas Drive
Richmond, KY 40475
Phone: 859-624-9156
Email: ke4isw@arrl.net
Richmond, KY
Madison County Fairgrounds
Highway 52 East

20 Sep 2008
Hazard Swapfest
Kentucky Mountains Amateur
Radio Club
<http://www.k4avx.net/hf.pdf>
Talk-In: 146.07/.67 (PL
103.5)
Contact: John Farler, K4AVX
1264 Hall Mountain Road
Viper, KY 41774
Phone: 606-476-9662
Email: k4avx@arrl.net
Hazard, KY
Wendell Ford Airport (Civil
Air Patrol Building)
KY Highway 15

09-Sep-2008
Sponsor: UNSPONSORED
Time: 6:00 PM (Walk-ins
allowed)
Contact: JOHN D SMITH
(606)398-7703
Email: JSMITH2465@TDS.NET
VEC: ARRL/VEC
Location: CIVIL AIR PATROL
BUILDING
HIGHWAY 15 NORTH
HAZARD, KY 41701

13-Sep-2008
Sponsor: BLUEGRASS VOLUNTEER
EXAMINERS
Time: 10:00AM (No walk-ins)
Contact: HARRY R SPARKS
(859)272-8762
Email: KN4S@ARRL.NET
VEC: W5YI VEC
Location: RED CROSS BUILDING-
CLASSROOM B
1450 NEWTOWN PIKE
I-75 EXIT 115
SOUTH -1 MILE, ON LEFT
LEXINGTON, KY 40511

04-Oct-2008
Sponsor: CINCINNATI REPEATER
ASSOC INC
Time: 8:30 AM (Walk-ins
allowed)
Contact: DALE W PRITCHETT
(513)769-0789
Email: KC8HJL@ARRL.NET
VEC: ARRL/VEC
Location: HARTWELL
PRESBYTERIAN CHURCH
210 PARKWAY AVE
INTERSECTION PARKWAY/WOODBINE
NEAR VINE/GALBRAITH & I-75
CINCINNATI, OH 45216

21 Sep 2008
GCARA Hamfest 2008
Greater Cincinnati Amateur
Radio Association
<http://gcara.org>
Talk-In: 145.37 (-600) &
146.88 (-600)
Contact: Stan Cohen, W8QDQ
2301 Royal Oak Court
Cincinnati, OH 45237-2939
Phone: 513-531-1011 or 513-
531-3834
Fax: 513-531-3834
Email: stanco49@zoomtown.com
Cincinnati, OH
Diamond Oaks Career
Development Center
6375 Harrison Avenue
Div: Great Lakes
Sect: Ohio

From the ARRL Special
Bulletin

ARLX008 FCC Vanity Call Sign
Fees to Increase September 25

On August 11, the Federal
Communications Commission
announced that the cost of
an Amateur Radio vanity call
sign will increase 60 cents,
from \$11.70 to \$12.30. Now

11-Oct-2008
Sponsor: HARDIN COUNTY
TESTERS
Time: 10:00AM (Walk-ins
allowed)
Contact: ARCHIE A MACK
(270)351-6159
Email: AMACK1@BBTEL.COM
VEC: ARRL/VEC
Location: HARDIN COUNTY
PUBLIC LIBRARY
NORTH BRANCH
800 SOUTH LOGSDON PARKWAY
ACROSS FROM NORTH HARDIN HS
RADCLIFF, KY 40160

12-Oct-2008
Sponsor: THOROUGHbred DX
GROUP
Time: 1:30 PM (Walk-ins
allowed)
Contact: MARGUERITE E
WILLIAMS
(859)245-2140
Email: KE4MAJ@ARRL.NET
VEC: Western Carolinas ARS
VEC
Location: RED CROSS BLDG -
CLASSROOM B
1450 NEWTOWN PIKE
AT GRIFFITH GATE BLVD
[HTTP://www.LEXKYWCARS.ORG/](http://www.LEXKYWCARS.ORG/)
LEXINGTON, KY 40511

24-Oct-2008
Sponsor: LAKE CUMBERLAND ARA
Time: 7:00 PM (Walk-ins
allowed)
Contact: NORMAN ARD
(606)679-2442
VEC: ARRL/VEC
Location: SOMERSET COMMUNITY
COLLEGE
ROOM B2-204
SOUTH CAMPUS
NEAR SOMERSET AIRPORT
SOMERSET, KY 42501

that notice of the increase
has been published in the
Federal Register, the
increase will take effect in
30 days, September 25, 2008.

The FCC is authorized by the
Communications Act of 1934,
As Amended, to collect
vanity call sign fees to
recover the costs associated
with that program. The
vanity call sign regulatory
fee is payable not only when
applying for a new vanity
call sign, but also upon
renewing a vanity call sign
for a new 10 year term.

The notice in the August 26,
2008 Federal Register,
entitled "Assessment and
Collection of Regulatory
Fees for Fiscal Year 2008,"
includes regulatory fees
expected to recover a total
of \$312,000,000 during
FY2008, encompassing all the
services the FCC regulates.

Local Club Meetings:

Jassamine Amateur Wireless
Society (Nicholasville)
Meetings are the second
Monday each month at 7:00
p.m. Location is the Corman
Building behind City Hall on
Main Street. Talk-in, and
information on the 145.490 (-
600) and 444.975 repeaters.

Capital ARS: Regular meeting
dates are the first Thursday
of the month, at 7:30 pm, at
the Frankfort Boone National
Guard Center, Emergency
Operation Center or
Communications Center, off
Highway 127, the Frankfort
West Plaza Connector. A photo
ID is required to enter thru
the guarded entrance.
Contact: PATRICK K COMPTON,
KF4FMZ Phone: (502) 607-1617
(D) (502) 454-8282 (N) Web:
<http://www.ky4eoc.com> E-mail:
ky4eoc@ky4eoc.com

Anderson County meets every
2nd Monday of the month.
7:00 p.m. at the Anderson
County EMS Building, 1191
Bypass South, next to the
Ford dealership.

Bluegrass Amateur Radio
Society The regular meeting
of the Bluegrass Amateur
Radio Society, Inc., will be
held every first Monday, 7:30
p.m. at the Red Cross
Building, 1450 Newtown Pike,
Lexington.

Scott County Amateur Radio
and Emergency Service Club (
SCARES), Meetings are the
third Saturday each month,
9:00 a.m. in the EOC (lower
level o Fire Station), 2200
Cincinnati Pike (
intersection of U.S. 25 N and
Delaplain Road). Check in
to their weekly simplex net
Tuesdays at 9:00 p.m. on
147.490.

Central Kentucky ARS (
Richmond-Berea), Third
Thursday each month in the
Madison County EOC, Richmond,
Kentucky, at 7:00 p.m.. Talk-
in on 146.865 (-600, pl-
192.8Hz) and 145.370 (-600,
pl-192.8Hz) repeater for
location directions to
meeting site, or other
information.

Pioneer ARC (Winchester),
Fourth Tuesday each month
Golden Corral Restaurant at
7:30 p.m. Talk-in, and info
on the 147.120 repeater.